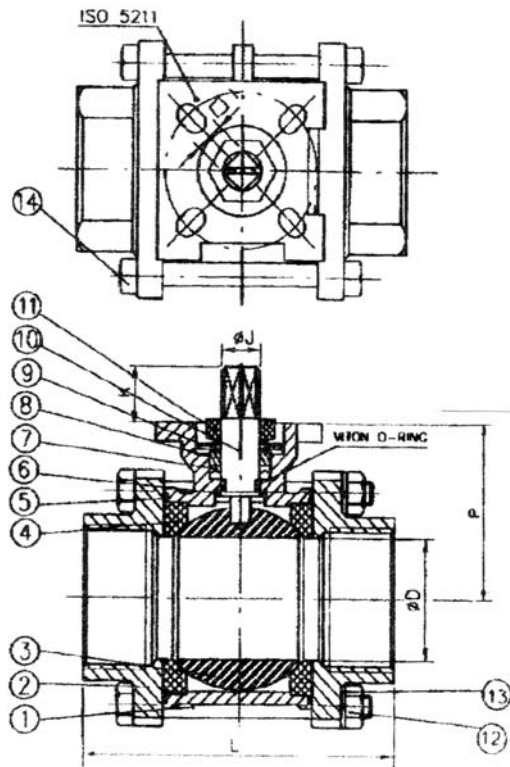




3-PC BALL VALVE TYPE 11770 FULL PORT, FOR DIRECT ACTUATOR MOUNTING 1000 psi



Item	Description	Material
1.	Body	ASTM A351-CF8M
2.	End cap	ASTM A351-CF8M
3.	Ball	ASTM A351-CF8M7316
4.	Seat	PTFE
5.	Gasket	PTFE
6.	Thrust washer	PTFE
7.	Stem packing	PTFE
8.	Gland	AISI 304
9.	Washer	AISI 301
10.	Stem	ASTM A276-316
11.	Packing nut	AISI 304
12.	Nut	AISI304
13.	Spring washer	AISI 304
14.	Bolt	AISI 304

SIZE		Ø D	I	Ø J	L	K	P	ISO 5211
inch	mm	mm	mm	mm	mm	mm	mm	
½"	15	15	9	12	74	9,5	41	F03-F04
¾"	20	20	9	12	83	9,5	45	F03-F04
1"	25	25	11	14	94	14	45	F03-F05
1 ¼"	32	32	11	14	105	14	50	F04-F05
1 ½"	40	40	14	20	120	19	67	F05-F07
2"	50	50	14	20	136	19	76	F05-F07
2 ½"	65	65	17	24	167	22	105	F07-F10
3"	80	80	17	24	189	22	116	F07-F10
4"	100	100	22	28	233	29	138	F10-F12