



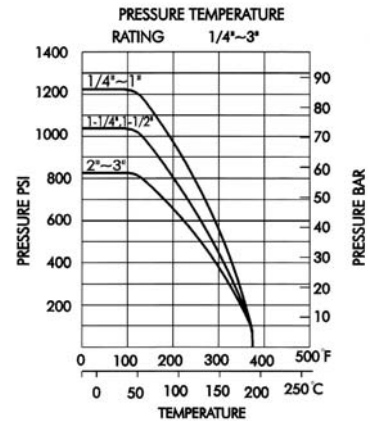
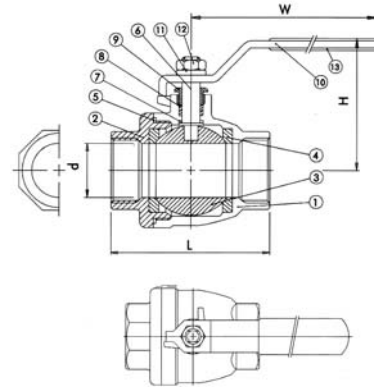
## 2-PIECE STAINLESS STEEL BALL VALVE – screwed ends

Type 11307, size: 1/4" to 3"

800 PSI (55 bar) W.O.G. / 1000 PSI (69 bar) W.O.G.

Blow-out proof stem / full port

Material: ASTM-A351-CF8M, ASTM-A351-CF8



ITEM	PARTS	QTY	MATERIAL
1	BODY	1	ASTM-A351-CF8M
2	CAP	1	ASTM-A351-CF8M
3	BALL	1	ASTM-A351-CF8M
4	BALL SEAT	2	15% R-PTFE
5	JOINT GASKET	1	PTFE
6	STEM	1	AISI 316
7	THRUST WASHER	1	PTFE
8	STEM PACKING	2	PTFE
9	GLAND NUT	1	AISI 304
10	HANDLE	1	AISI 304
11	SPRING WASHER	1	AISI 304
12	STEM NUT	1	AISI 304
13	PLASTIC COVER	1	PLASTIC

SIZE	d	L	H	W	Cv factor	Torque	Kgs
1/4"	11,6	50	51	105	6,6	40	0,23
3/8"	12,7	50	51	105	7,9	40	0,23
1/2"	15	60	53	105	11,2	54	0,34
3/4"	20	70	60	125	21	78	0,54
1"	25,4	82	74	160	35	106	0,96
1 1/4"	32	95	80	160	57	150	1,40
1 1/2"	38	108	92	190	80	200	2,08
2"	50,8	134	101	190	150	280	3,57
2 1/2"	65	158	130	245	265	480	5,80
3"	80	185	142	245	415	750	9,52